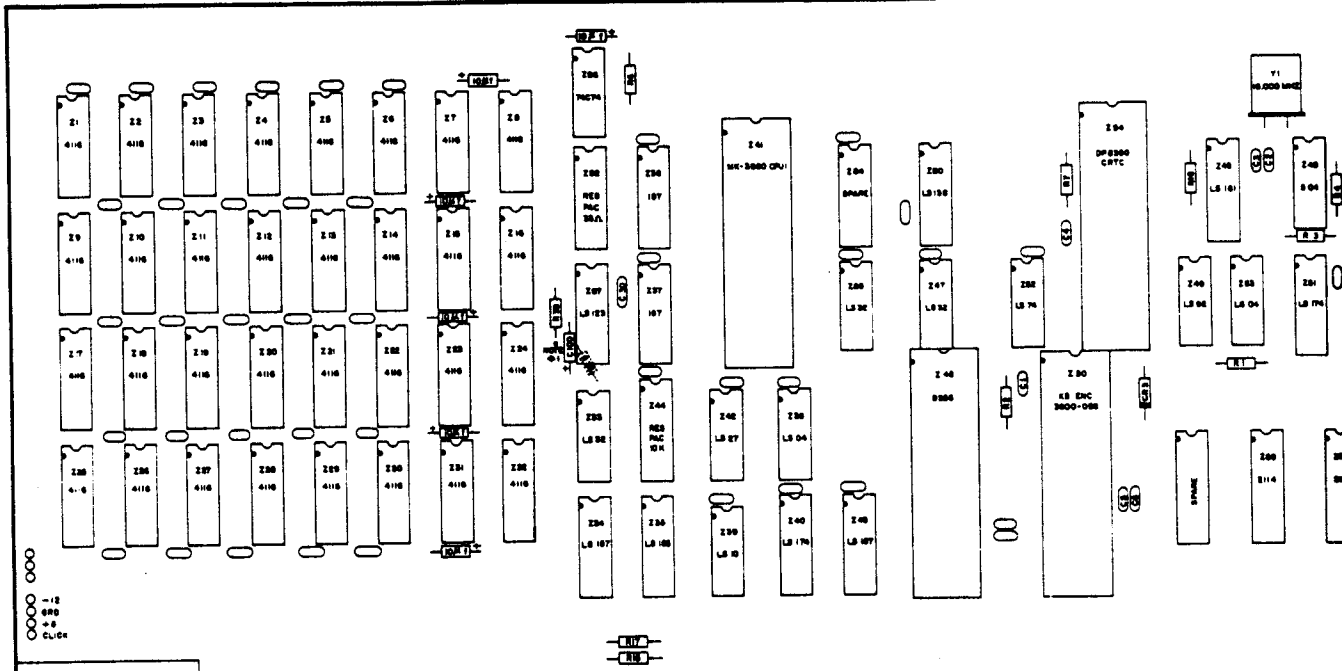


H  
G  
F  
E  
D  
C  
B  
A



**RESISTORS**

- R1-47K
- R2-27K
- R3-470
- R4-870
- R5-10K
- R6-10K
- R7-1K
- R8-10K
- R9-10K
- R10-10K
- R11-27K
- R12-470
- R13-470
- R14-4.7K
- R15-10K
- R16-10K
- R17-10K
- R18-10K
- R19-10K
- R20-27K
- R21-27K
- R22-10K
- R23-47K

**CAPACITORS**

- C1-56pf
- C2-0.1μf
- C3-10μf
- C4-0.01μf
- C5-0.1μf
- C6-0.047μf
- C7-10μf ELECTROLYTIC
- C8-0.1μf
- C9-0.1μf
- C10-56pf
- C11-10pf
- C30-56pf
- C100-10μf ELECTROLYTIC

**DIODES**

- CR1-IN4735A
- CR2-IN4735A
- CR3-IN914

**CRYSTALS**

- Y1-16.000 MHZ
- Y2-10.92 MHZ
- Y3-5.0688 MHZ

• ALL RESISTORS ARE IN OHMS 1/4 W 5%      • ALL UNMARKED DECOUPLING CAPACITORS ARE 0.1μf

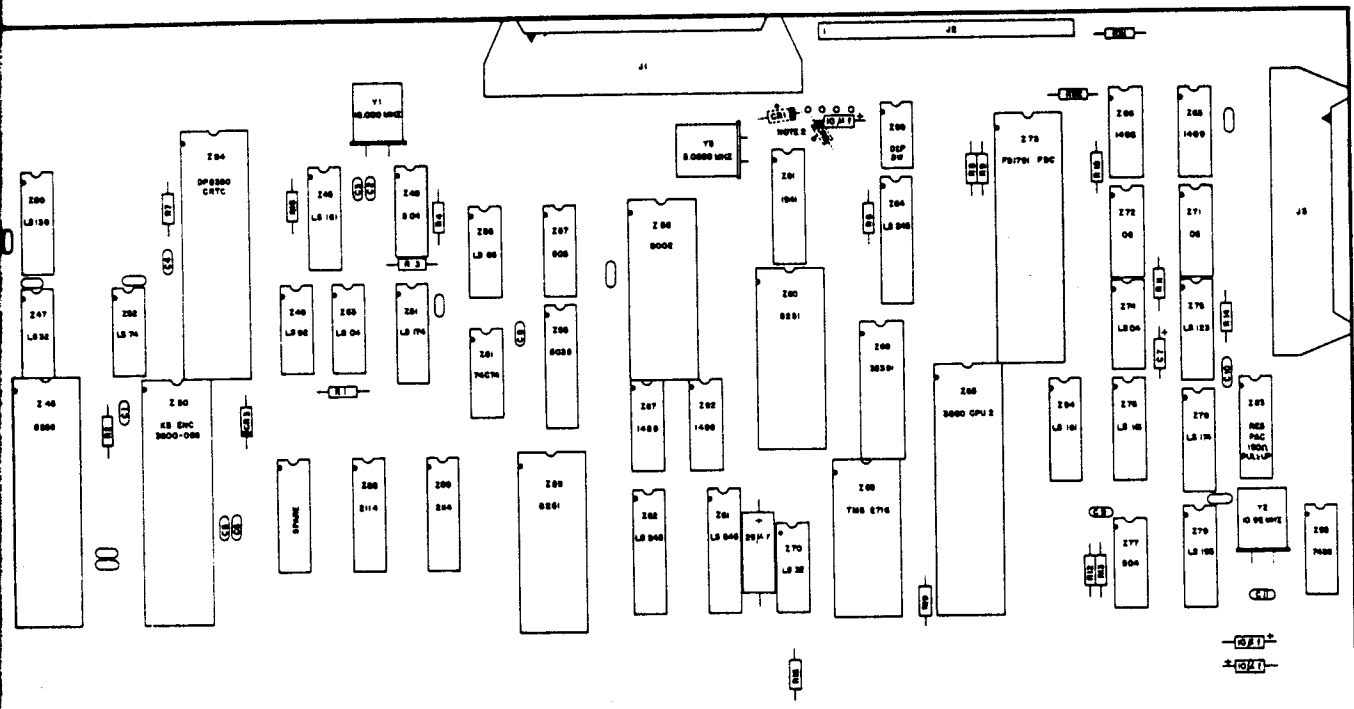
**CONFIDENTIAL AND PROPRIETARY INFORMATION**

This document is the property of Interdata Systems Corporation, Columbia South Carolina and contains confidential and trade secret information. This information may not be transferred from the custody or control of Interdata except as authorized by Interdata and may only be used for limited purposes. It must not be reproduced in whole or in part and must be returned to Interdata upon request and in no event upon completion of the purpose of the loan.

Neither this document nor the information it contains may be used or disclosed to anyone not having a need for such use or disclosure consistent with the purpose of the loan without the prior signed consent of Interdata.

Copyright 1980 by Interdata Systems. All rights reserved. Printed in the USA.

REVISED		DATE	APPROVED
ZONE	LTN		



- DIODES**
- CR1 - IN4738A
- CR2 - IN4738A
- CR3 - IN914
- CRYSTALS**
- Y1 - 16.000 MHZ
- Y2 - 10.92 MHZ
- Y3 - 8.0688 MHZ

— KEYBOARD —

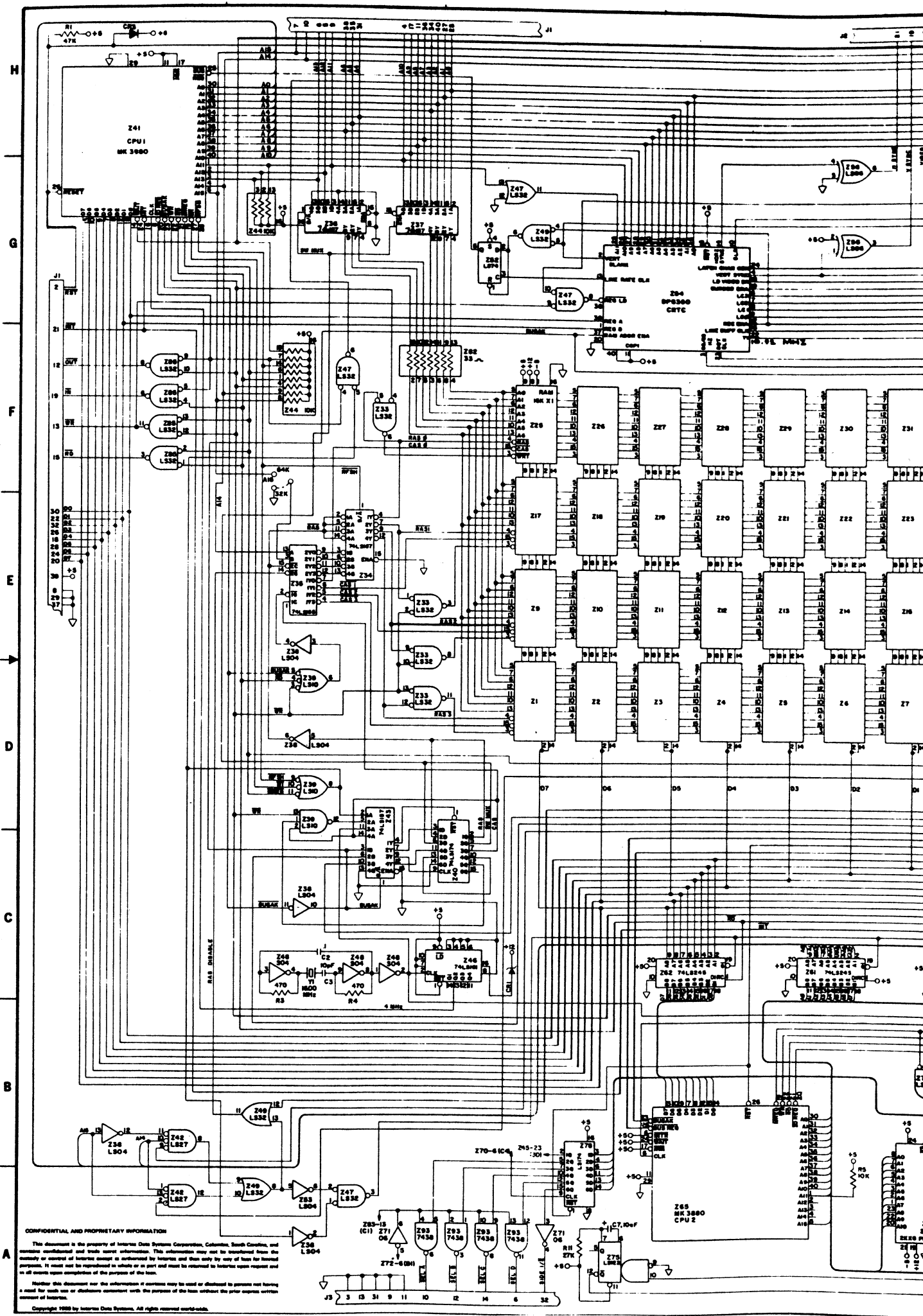
- NOTES:**
- (1) CAPACITOR SOLDERED TO IC PINS # 6 AND #7 RESISTOR MOUNTED ON BOTTOM OF PC BOARD
  - (2) CR1 & CR2 MOUNTED ON BOTTOM OF PC BOARD

ALL CAPACITORS ARE 0.1µF

QTY	CODE	PART OR	NOMENCLATURE
(REQ)	(REV)	IDENTIFYING NO	OF DESCRIPTION
PARTS LIST			
UNLESS OTHERWISE SPECIFIED DIMENSIONS ARE IN INCHES TOLERANCES ARE		CONTRACT NO	
FRACTIONS DECIMALS ANGLES		APPROVALS DATE	
" = " " = "		DESIGN SWM 9-20-80	
MATERIAL		CHECKED GAX 9-20-80	
FINISH		SCALE	
NEXT ASSY USED ON		SHEET CODE (REV) NO (ISSUE) NO	
APPLICATION		E L86-	
DO NOT SCALE DRAWING		SCALE DOUBLE SHEET 1 OF 1	

**Intertec Data Systems**  
**SUPERBRAIN KEYBOARD/  
 CPU MODULE  
 ASSEMBLY DRAWING**

H  
G  
F  
E  
D  
C  
B  
A  
2



H  
G  
F  
E  
D  
C  
B  
A

**CONFIDENTIAL AND PROPRIETARY INFORMATION**

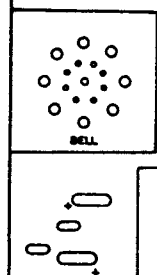
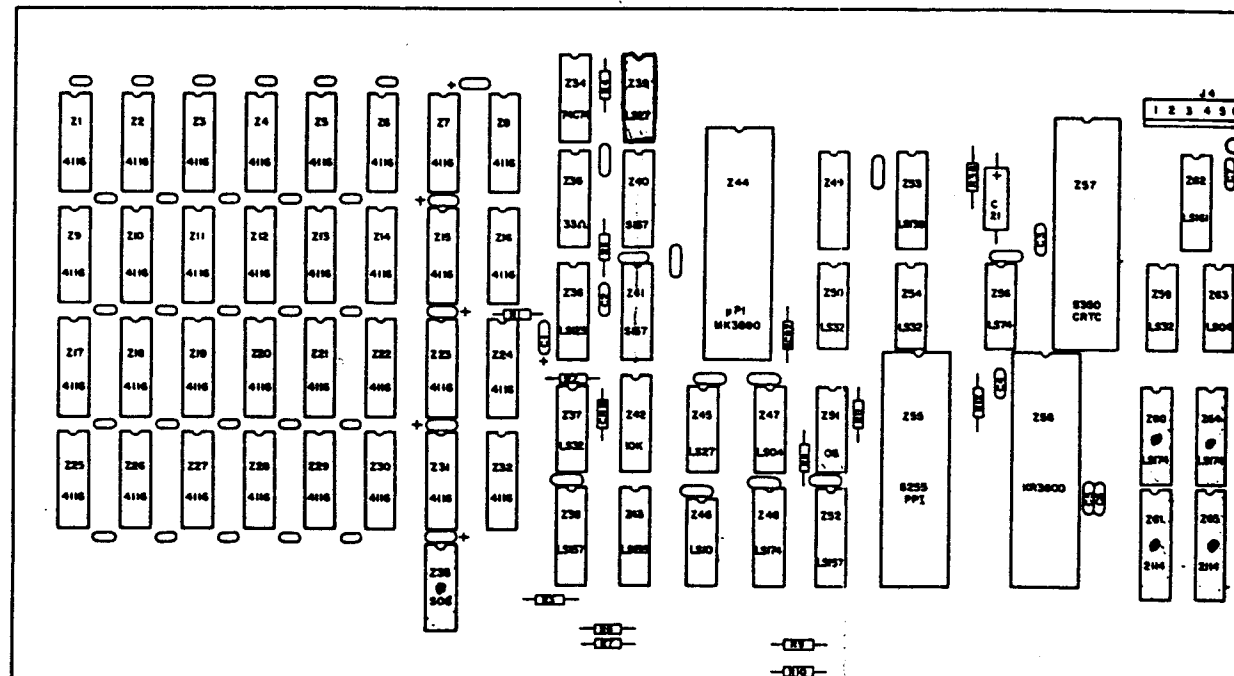
This document is the property of International Business Machines Corporation, Armonk, New York, and is loaned to you by International Business Machines Corporation. It contains confidential and trade secret information. This information may not be reproduced, stored in a retrieval system, or transmitted in any form or by any means, electronic, mechanical, photocopying, recording, or by any information storage and retrieval system, without the prior written permission of International Business Machines Corporation. If you are not an authorized recipient, you should not have received this document. If you have received this document, you should not disseminate its contents. If you have received this document, you should not disseminate its contents. If you have received this document, you should not disseminate its contents.

IBM and System/360 are trademarks of International Business Machines Corporation.

Copyright © 1968 by International Business Machines Corporation. All rights reserved worldwide.



H  
G  
F  
E  
D  
C  
B  
A



CAPACITORS		DIODES	
(1) C1	10 pf	C1	1N914
C2	100 pf	C2	1N914
C3	0.01 pf	C3	1N914
C4	94 pf	C4	1N914
C5	0.047 pf	C5	1N914
C6	0.1 pf	C6	1N914
C7	10 pf	C7	1N914
C8	0.1 pf	C8	1N914
C9	330 pf	C9	1N914
C10	0.1 pf	C10	1N914
C11	0.01 pf	C11	1N914
C12	0.1 pf	C12	1N914
C13	780	C13	1N914
C14	33 pf	C14	1N914
C15	0.1 pf	C15	1N914
(1) C16	10 pf	C16	1N914
C17	94 pf	C17	1N914
C18	10 pf	C18	1N914
(1) C19	1 pf	C19	1N914
C20	0.001 pf	C20	1N914
(1) C21	22 pf	C21	1N914
(1) C22	22 pf	C22	1N914
(1) C23	22 pf	C23	1N914
C24	15-40 pf	C24	1N914
C25	0.1 pf	C25	1N914

CRYSTALS	
Y1	14.000 MHz
Y2	3.0688 MHz
Y3	32.768 KHz
Y4	10.9200 MHz

\* ALL UNMARKED DECOUPLING CAPACITORS ARE 0.1 pf \* ALL UNMARKED POLARIZED CAPACITORS ARE 10 pf ELECTROLYTIC  
 (1) C1, C6, C9, C12, C22 & C23 ARE ELECTROLYTIC

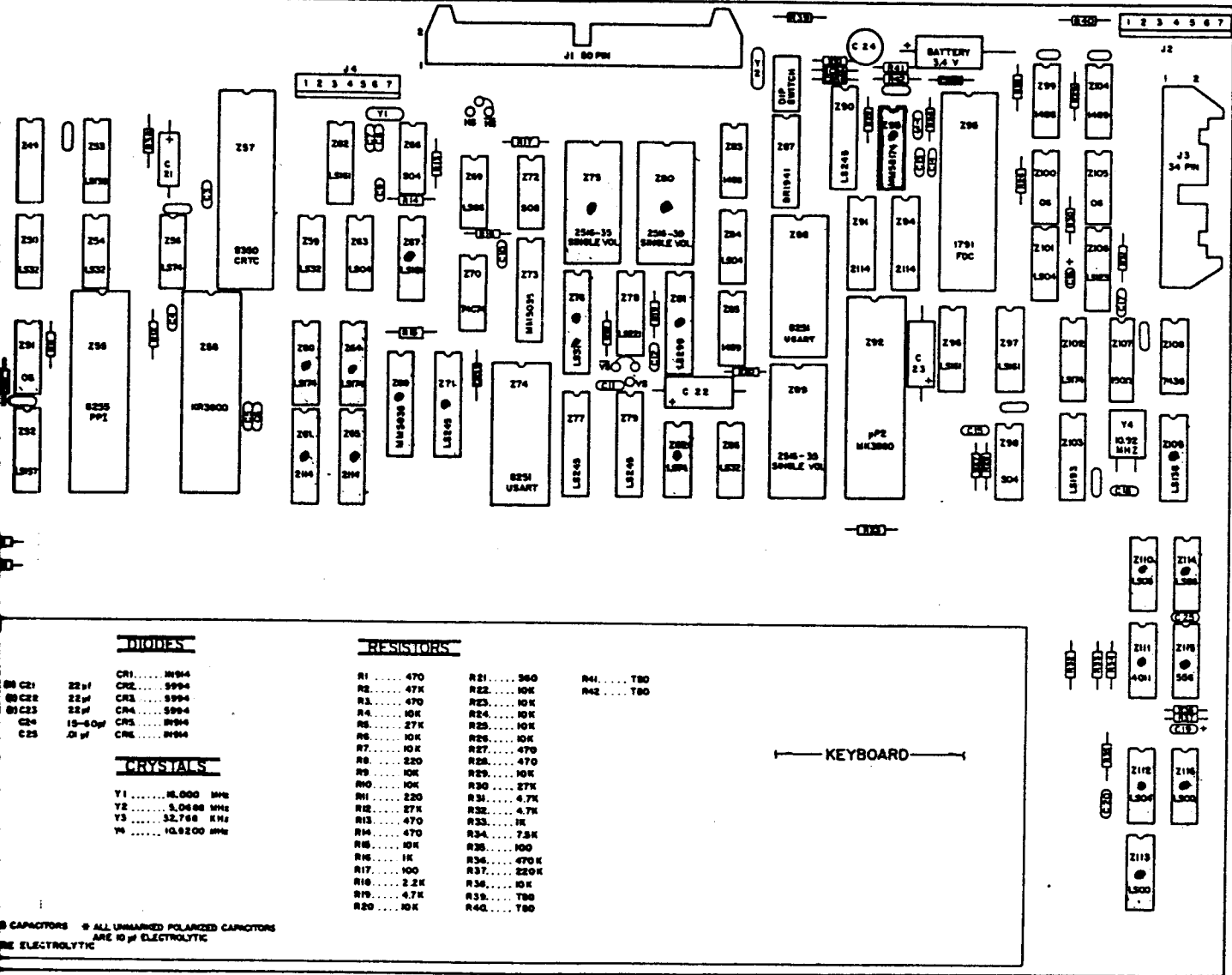
**CONFIDENTIAL AND PROPRIETARY INFORMATION**

This document is the property of Intertec Data Systems Corporation, Columbia, South Carolina, and contains confidential and trade secret information. This information may not be transferred from the custody or control of Intertec except as authorized by Intertec and then only by way of loan for limited purposes. It must not be reproduced in whole or in part and must be returned to Intertec upon request and in all events upon completion of the purpose of the loan.

Neither this document nor the information it contains may be used or disclosed to persons not having a need for such use or disclosure consistent with the purpose of the loan without the prior express written consent of Intertec.

Copyright 1982 by Intertec Data Systems. All rights reserved worldwide

Superbain 2  
NOT VP010/2

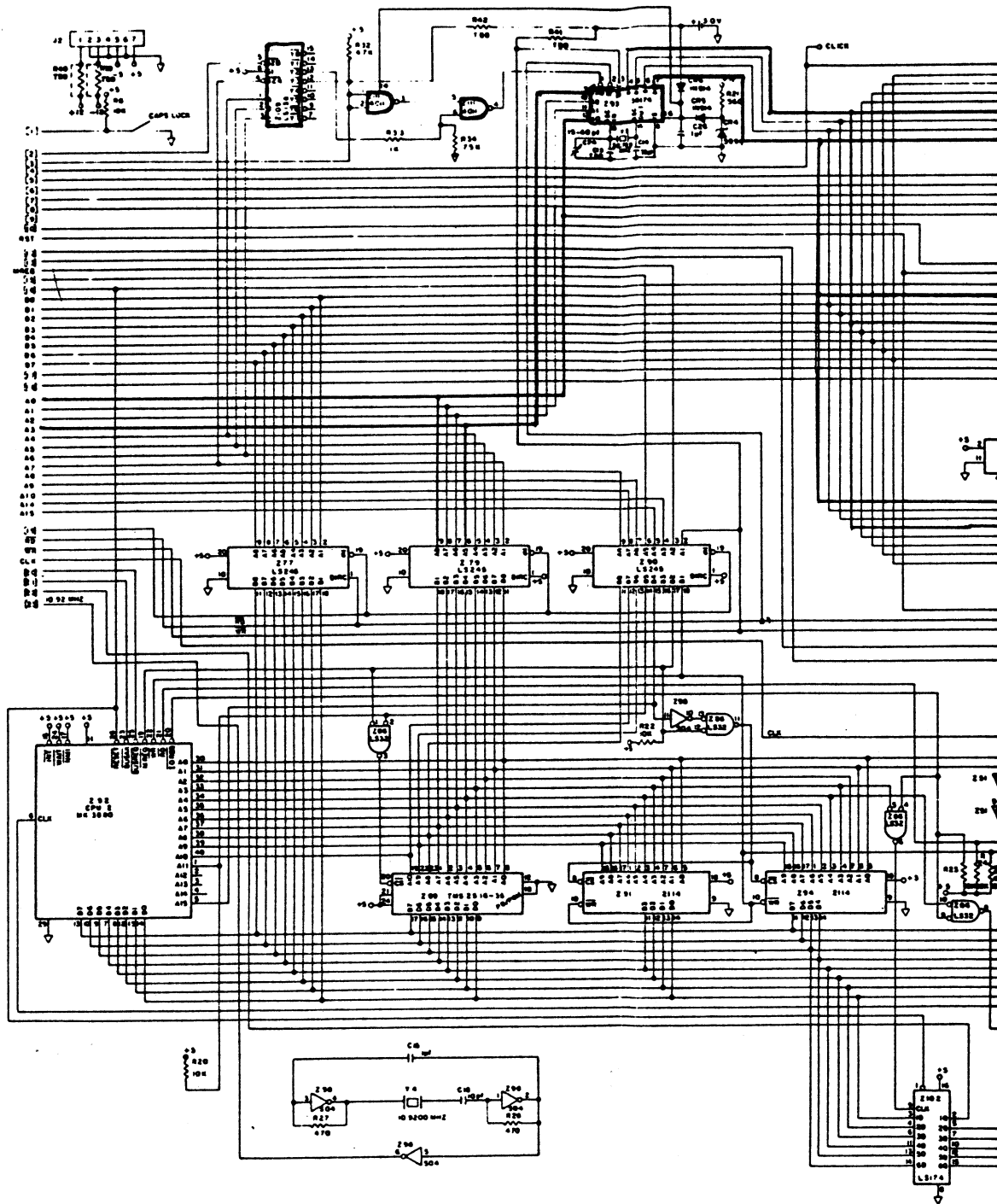


© CAPACITORS ARE 10µf ELECTROLYTIC  
 © ALL UNMARKED POLARIZED CAPACITORS ARE 10µf ELECTROLYTIC

APP. NO.	DATE	PART OR IDENTIFYING NO.	REVISION OR DESCRIPTION
CHECKS OBSERVED: APPROVED PARTS LIST: APPROVED CONTRACT NO.		DATE: 8-25-81 BY: [Signature]	
INTERTEC DATA SYSTEMS KEYBOARD/CPU II ASSEMBLY		PARTS LIST	
E L124		500028	

5132

H  
G  
F  
E  
D  
C  
B  
A



**CONFIDENTIAL AND PROPRIETARY INFORMATION**

This document is the property of Intertec Data Systems Corporation, Columbia, South Carolina, and contains confidential and trade secret information. This information may not be transferred from the custody or control of Intertec except as authorized by Intertec and then only by way of loan for limited purposes. It must not be reproduced in whole or in part and must be returned to Intertec upon request and in all events upon completion of the purpose of the loan.

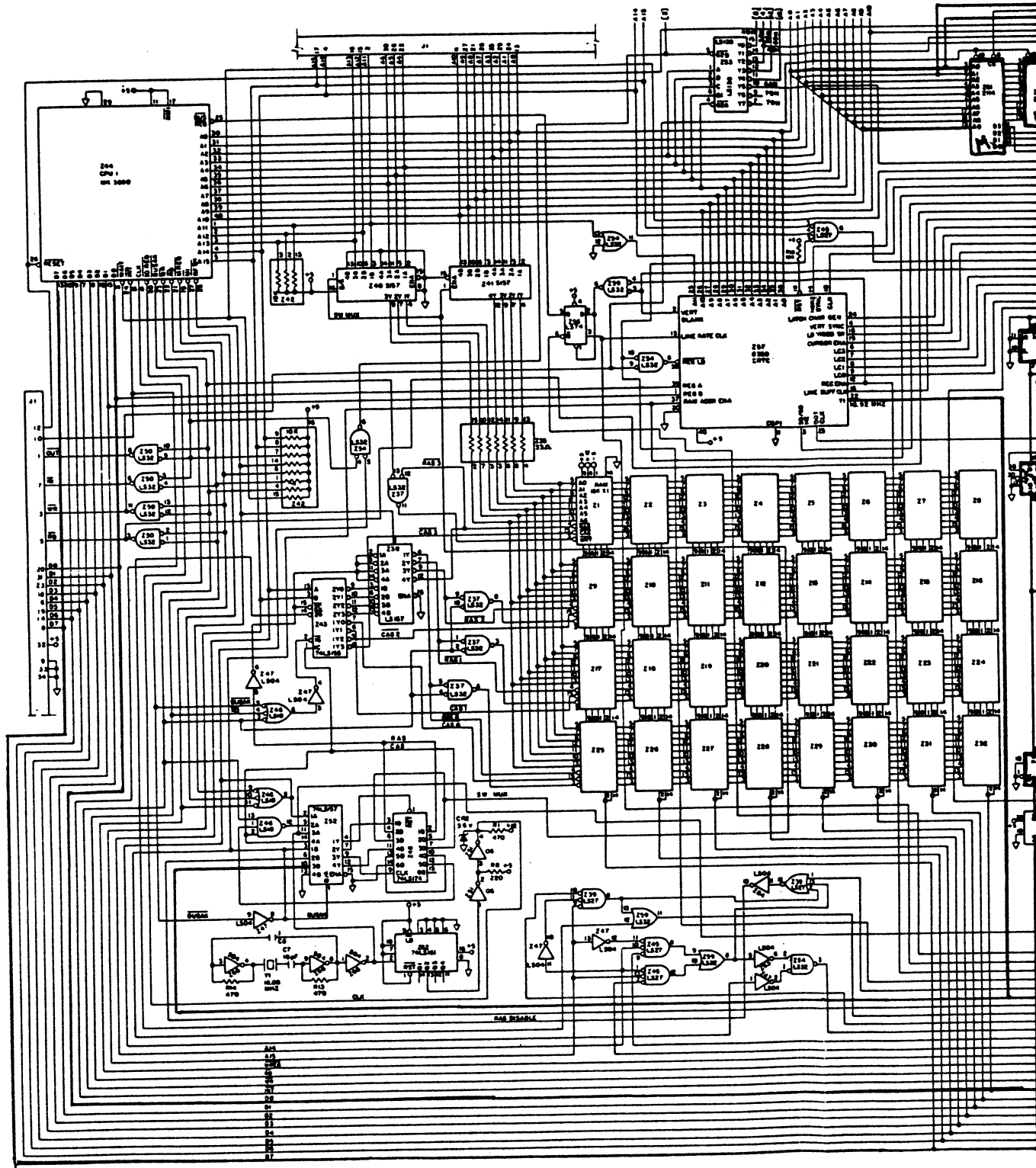
Neither this document nor the information it contains may be used or disclosed to persons not having a need for such use or disclosure consistent with the purpose of the loan without the prior express written consent of Intertec.

Copyright 1982 by Intertec Data Systems. All rights reserved worldwide.





H  
G  
F  
E  
D  
C  
B  
A

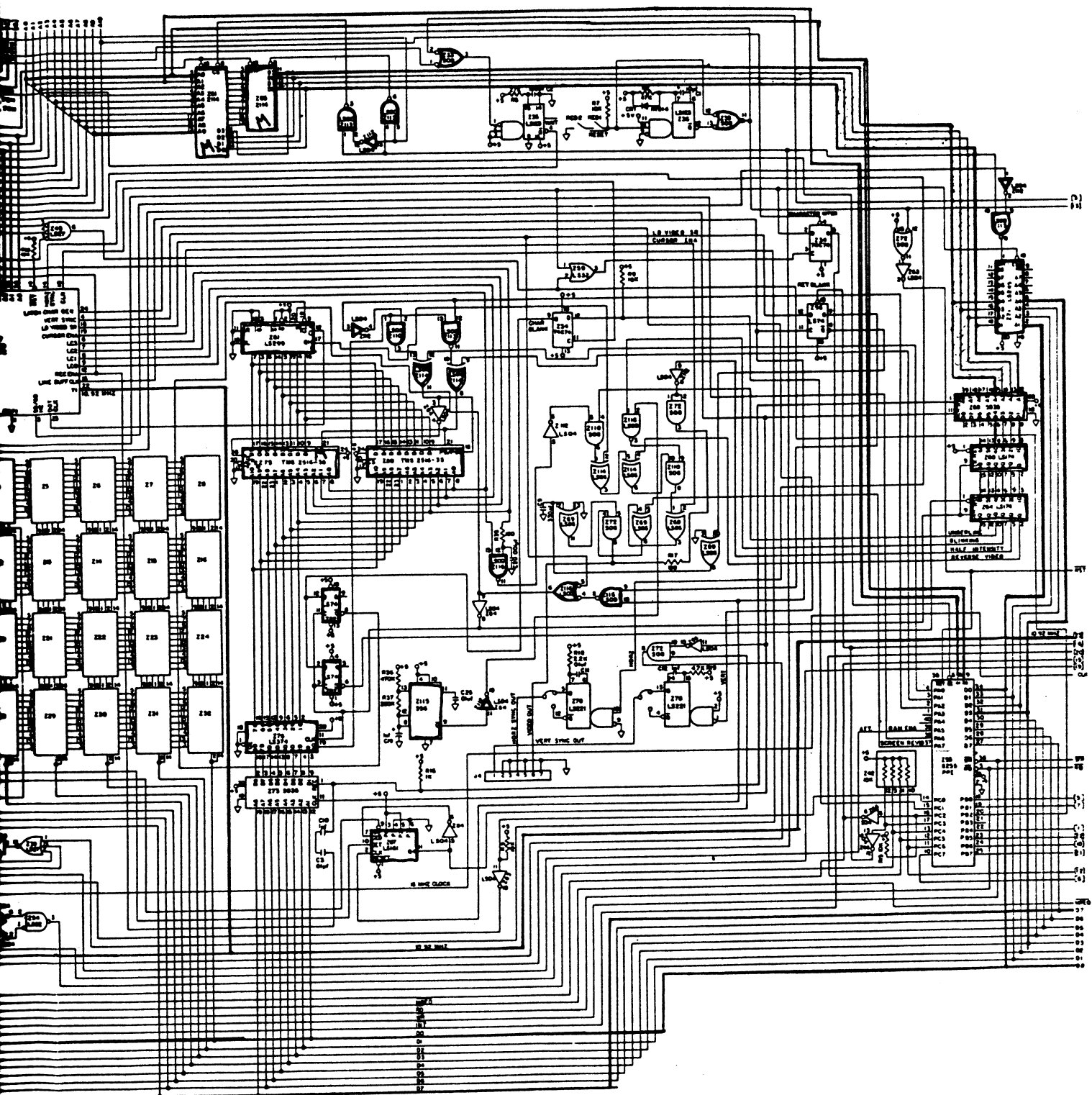


**CONFIDENTIAL AND PROPRIETARY INFORMATION**

This document is the property of Intertec Data Systems Corporation, Columbia, South Carolina, and contains confidential and trade secret information. This information may not be transferred from the custody or control of Intertec except as authorized by Intertec and then only by way of loan for limited purposes. It must not be reproduced in whole or in part and must be returned to Intertec upon request and in all events upon completion of the purpose of the loan.

Neither this document nor the information it contains may be used or disclosed to persons not having a need for such use or disclosure consistent with the purpose of the loan without the prior express written consent of Intertec.

Copyright 1982 by Intertec Data Systems. All rights reserved worldwide.

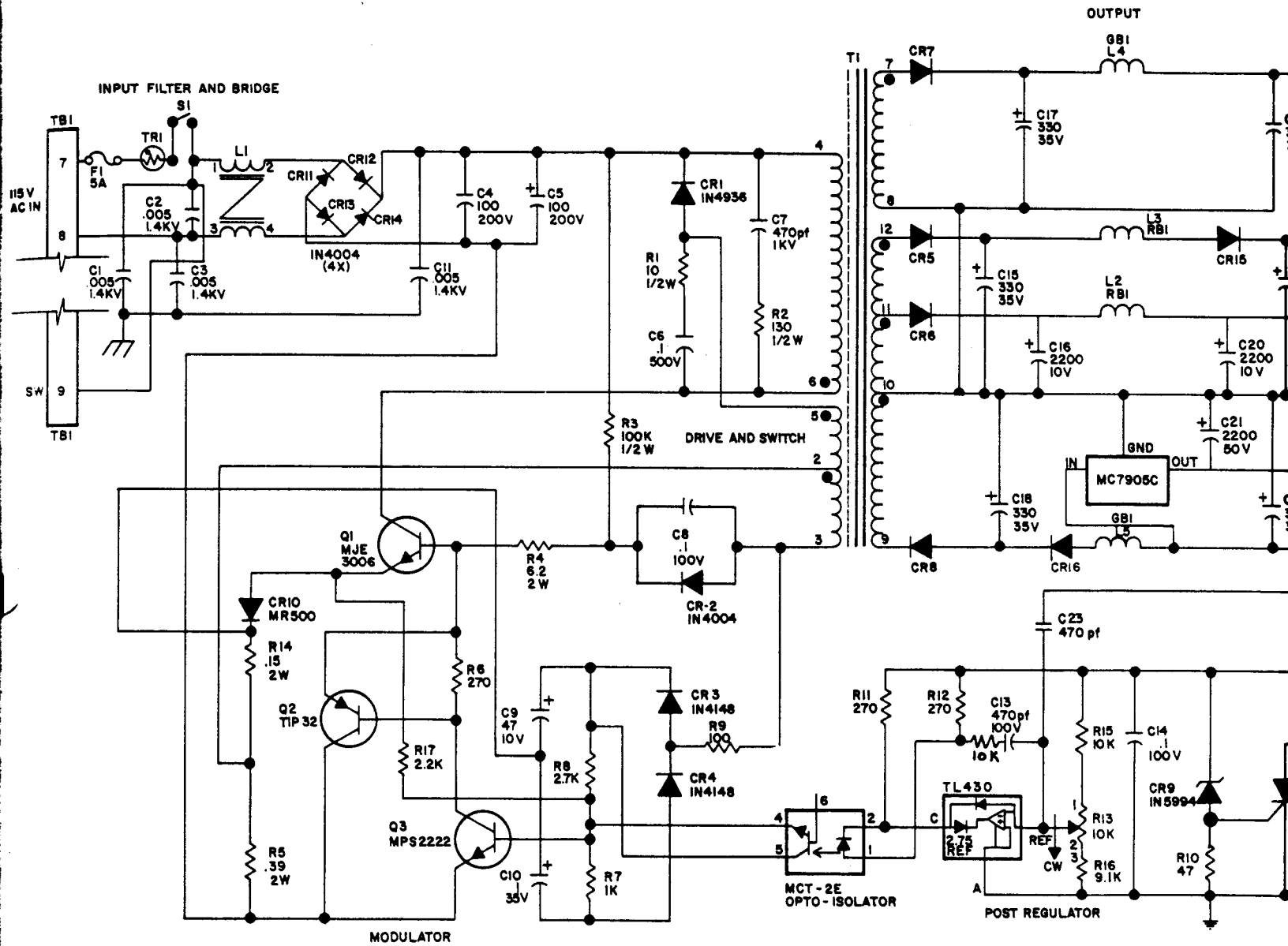


APP REV	DATE REV	PART OR IDENTIFYING NO	DESCRIPTION OR IDENTIFYING NO
PARTS LIST			
UNLESS OTHERWISE SPECIFIED DIMENSIONS ARE IN INCHES FRACTIONS ARE DECIMALS ARE TOLERANCES		CONTRACT NO	INTERTEC DATA SYSTEMS
DRAWN BY		APPROVALS	DATE
CHECKED		BY	NO. OF
DESIGNED BY		CHECKED	REVISED
PARTS		KEYBOARD / CPU II SCHEMATIC	
LIST APP		DATE	
USED ON		E	
APPLICATION		500030	
DO NOT SCALE DRAWING		SCALE	

SIB 2

H  
G  
F  
E  
D  
C  
B  
A

5 4 3 2 1



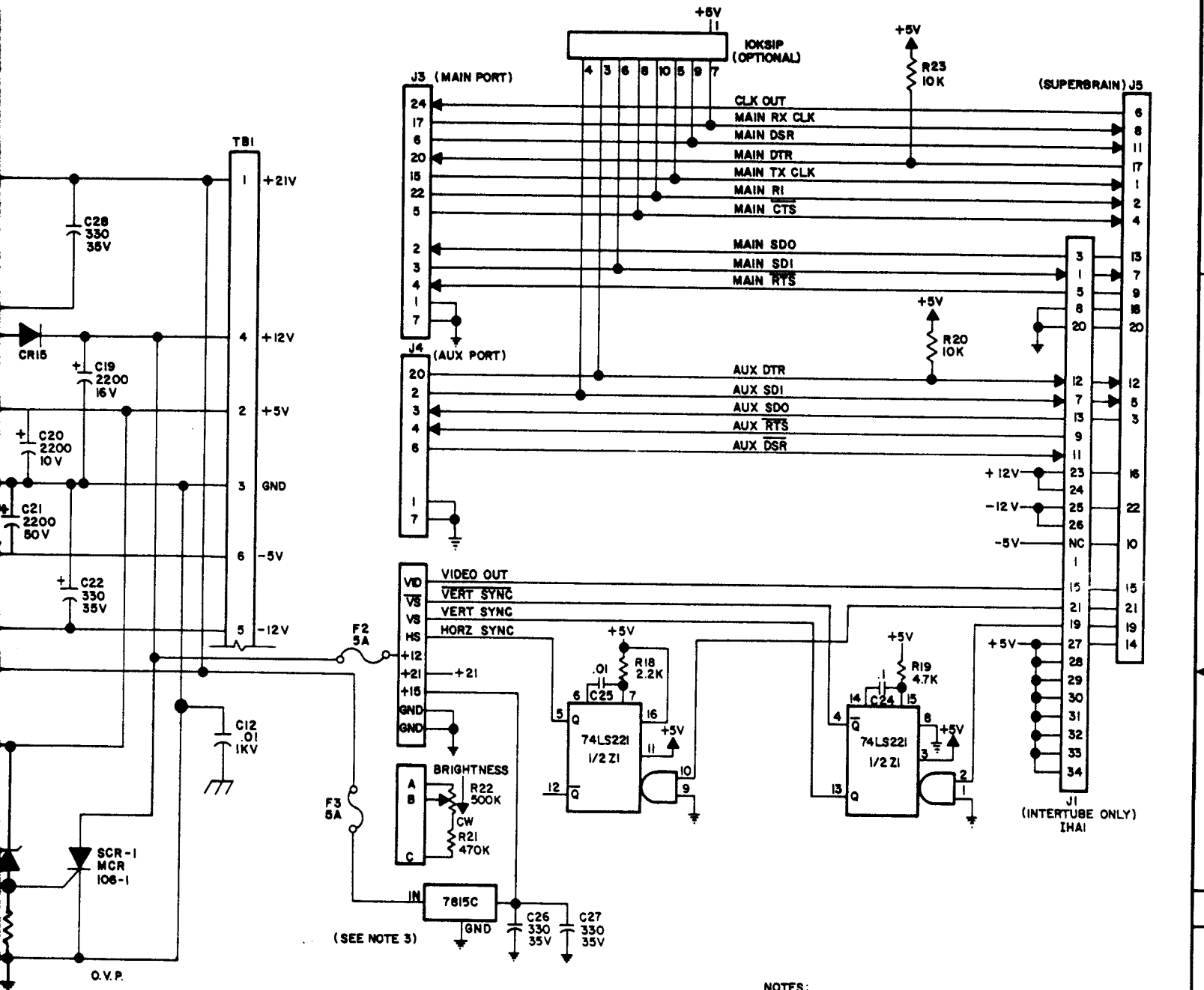
**CONFIDENTIAL AND PROPRIETARY INFORMATION**

This document is the property of Intertec Data Systems Corporation, Columbia, South Carolina, and its confidential and trade secret information. This information may not be transferred from the company or control of Intertec except as authorized by Intertec and then only by way of loan for limited purposes. It must not be reproduced in whole or in part and must be returned to Intertec upon request and events upon completion of the purpose of the loan.

Neither this document nor the information it contains may be used or disclosed to persons not having authority for such use or disclosure consistent with the purpose of the loan without the prior express written consent of Intertec.

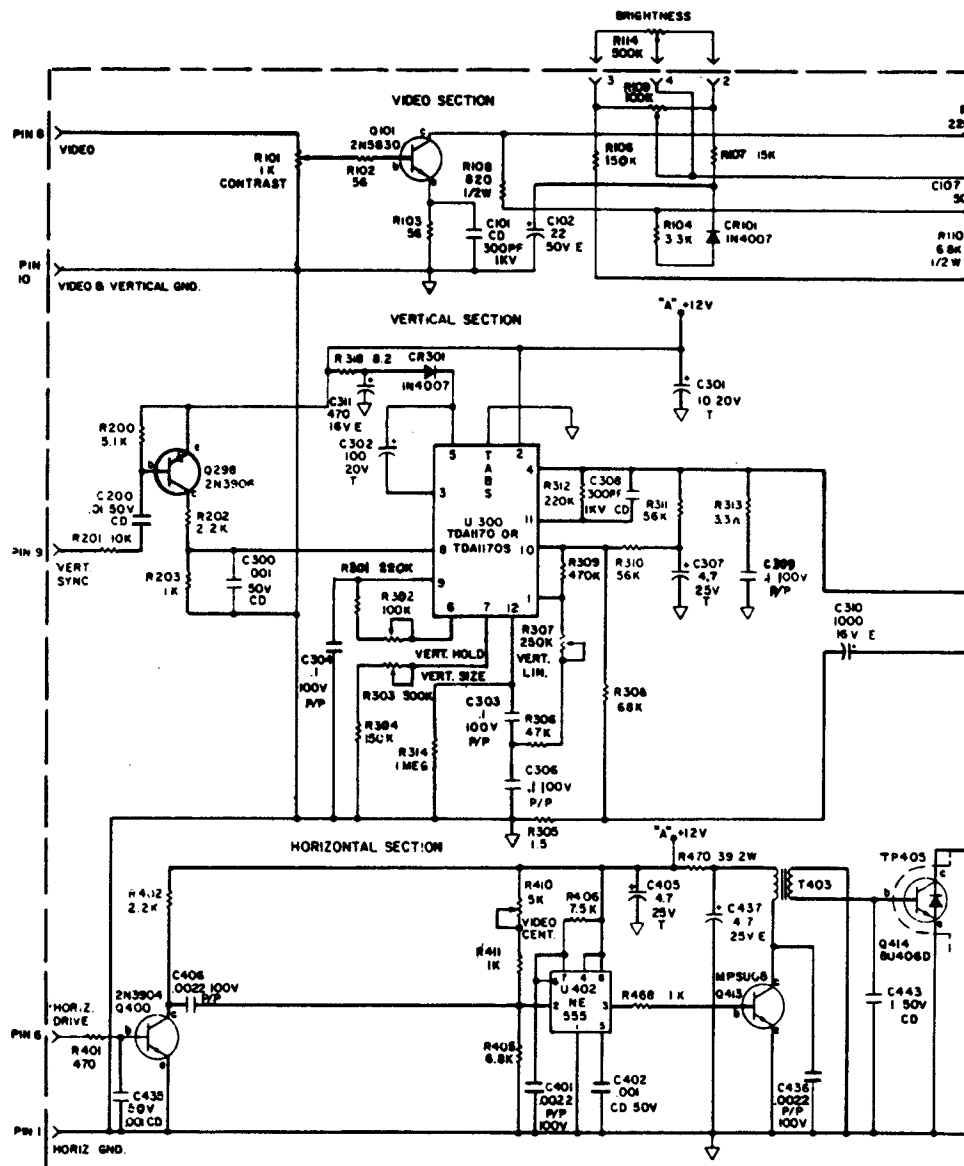
Copyright 1980 by Intertec Data Systems. All rights reserved world-wide.

REVISIONS				
ZONE	LTR	DESCRIPTION	DATE	APPROVED



- NOTES:**
- (1) CAPACITORS ARE IN  $\mu$ F
  - (2) RESISTORS ARE IN OHMS
  - (3) MOUNTED ON CRT FRAME

QTY REQD	CODE IDENT	PART OR IDENTIFYING NO.	NOMENCLATURE OR DESCRIPTION
PARTS LIST			
UNLESS OTHERWISE SPECIFIED DIMENSIONS ARE IN INCHES TOLERANCES ARE		CONTRACT NO.	
FRACTIONS	DECIMALS	ANGLES	<p style="text-align: center;"><b>Intertec Data Systems</b></p> <p style="text-align: center;"><b>SUPERBRAIN POWER SUPPLY SCHEMATIC</b></p>
=	xx =	=	
=	xxx =	=	
MATERIAL	APPROVALS		DATE
FINISH	DRAWN SWH		6-18-81
NEXT ASSY	CHECKED GNL		6-18-81
USED ON	SIZE		CODE IDENT NO
APPLICATION	D		S110
DO NOT SCALE DRAWING	DRAWING NO.		
	SCALE		SHEET   OF



NOTES:  
 1). ALL RESISTORS 1/4 W 5% UNLESS OTHERWISE SPECIFIED  
 2). ALL CAPACITORS ARE IN MFD UNLESS OTHERWISE SPECIFIED

CAP - CAPACITOR  
 E - ELECTROLYTIC  
 T - TANTALUM  
 CD - CERAMIC DISC  
 P/P - PLASTIC PACK  
 NP - NON-POLARIZED

**CONFIDENTIAL AND PROPRIETARY INFORMATION**

This document is the property of Intertec Data Systems Corporation, Columbia, South Carolina, and contains confidential and trade secret information. This information may not be transferred from the custody or control of Intertec except as authorized by Intertec and then only by way of loan for limited purposes. It must not be reproduced in whole or in part and must be returned to Intertec upon request and in all events upon completion of the purpose of the loan.

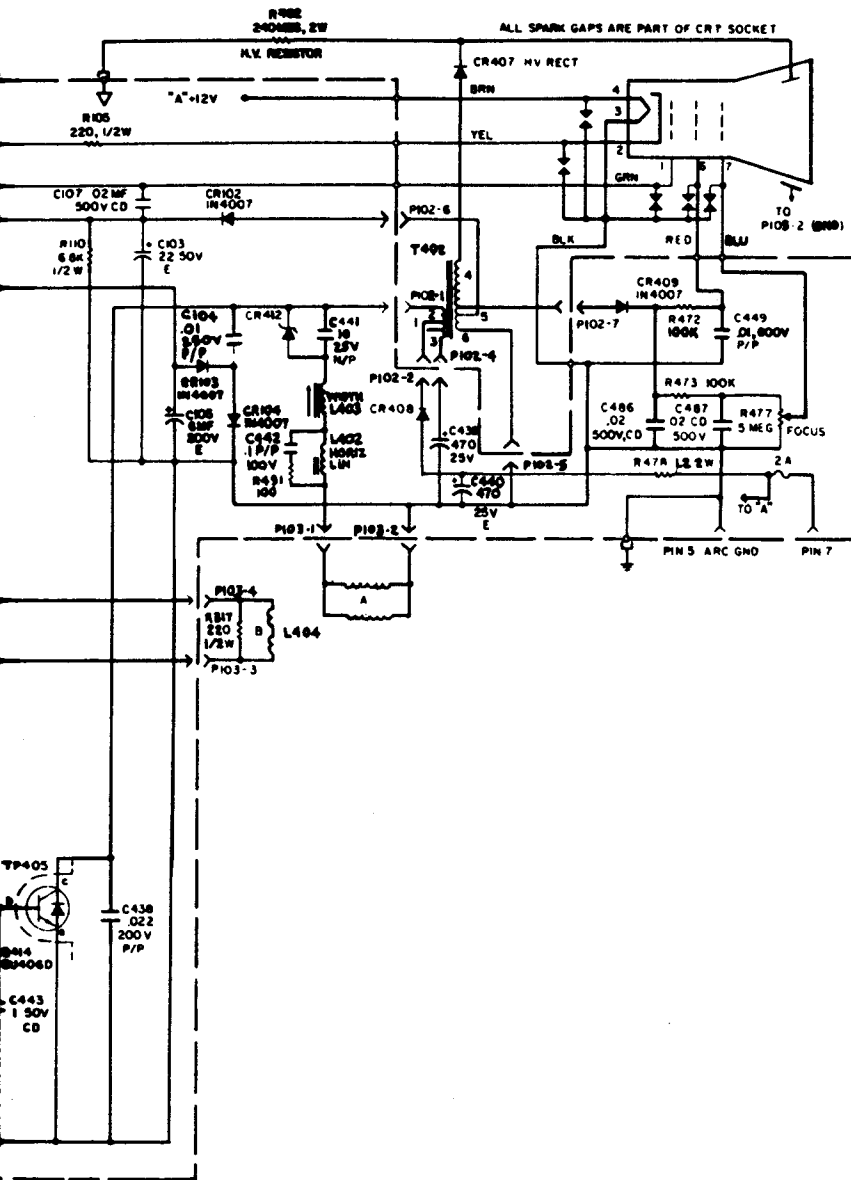
Neither this document nor the information it contains may be used or disclosed to persons not having a need for such use or disclosure consistent with the purpose of the loan without the prior express written consent of Intertec.

Copyright 1980 by Intertec Data Systems, Columbia, South Carolina 29210. All Rights Reserved Worldwide.

		U
		D
		T
		F
		±
		MA
		FI
		D
NEXT ASSY	USED ON	
APPLICATION		

REVISIONS

ZONE	LTR	DESCRIPTION	DATE	APPROVED



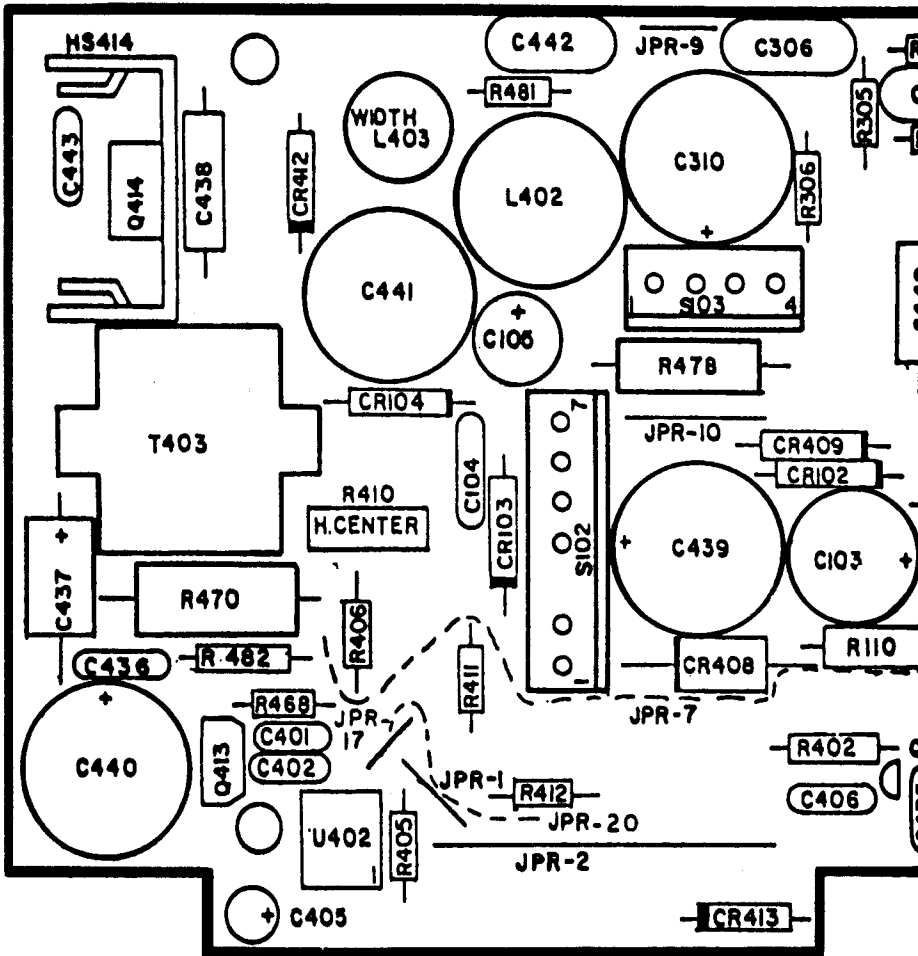
CAP TYPES  
 E - ELECTROLYTIC  
 T - TANTALUM  
 CD - CERAMIC DISC  
 P/P - PLASTIC PACKAGE  
 NP - NONPOLARIZED

UNLESS OTHERWISE SPECIFIED DIMENSIONS ARE IN INCHES TOLERANCES ARE: FRACTIONS DECIMALS ANGLES ± .XX ± ± ± .XXX ±	CONTRACT NO.	
	APPROVALS	DATE
MATERIAL	CHECKED GKX	6-5-81
FINISH		
DO NOT SCALE DRAWING		

# Intertec Data Systems

SUPERBRAIN VIDEO PCB SCHEMATIC DIAGRAM

SIZE	CODE IDENT NO.	DRAWING NO.
B	S 96	
SCALE		SHEET   OF



ADDED JPR-20, R412, MOVED C436 R482, R406, J104, BLK, JPR-7	DAC	2/25/81	RGB
ADDED R482, CR413 CHANGED C449 SHAPE	DAC	12-1-80	RGB
UPDATED TO REV 10 PC ADDED C312, JPR-17, R111 MOVED J401, R318, CR301, BRN WAFERS WERE P...	DLW	9-23-80	RGB 9-23-80
C105 WAS A CERAMIC DISC LABELED J401	DLW	8-12-80	
JPR-15 WAS JPR-13	DLW	8-2-80	
REVISION	BY	DATE	APP'D

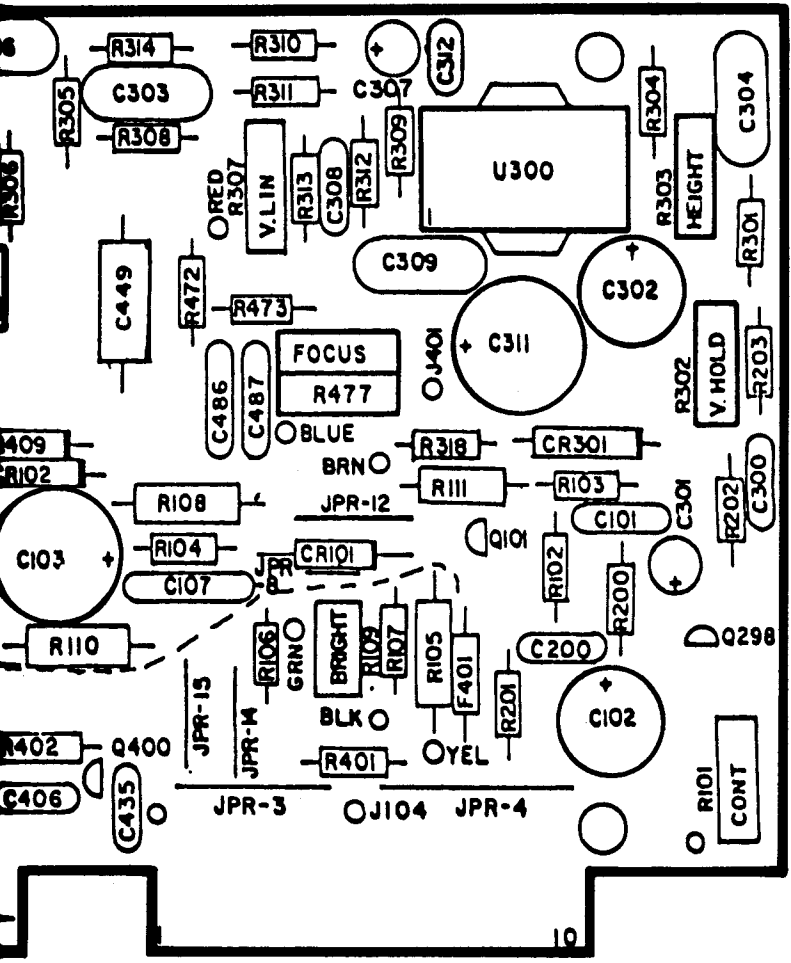
		UNLES DIMEN TOLER
		FRACT
		±
		MATERI
		FINISH
NEXT ASSY	USED ON	
APPLICATION		DO N

Z

I

REVISIONS

ZONE	LTR	DESCRIPTION	DATE	APPROVED



# Intertec Data Systems

SUPERBRAIN VIDEO PCB  
ASSEMBLY DRAWING

UNLESS OTHERWISE SPECIFIED  
DIMENSIONS ARE IN INCHES  
TOLERANCES ARE:  
FRACTIONS DECIMALS ANGLES  
± .XX ± ±  
.XXX ± ±

MATERIAL

FINISH

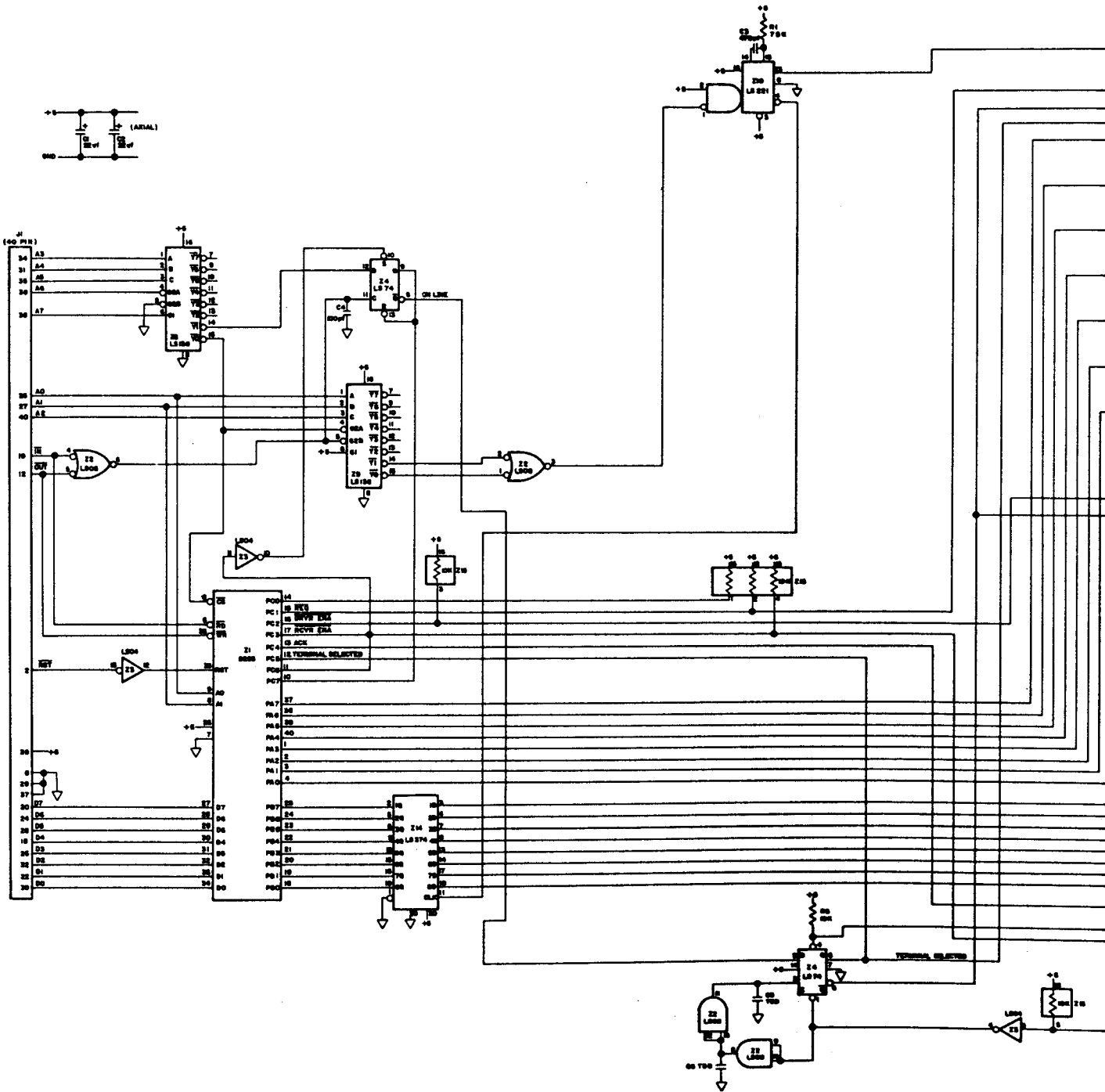
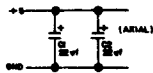
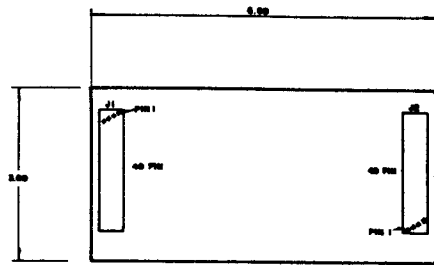
DO NOT SCALE DRAWING

CONTRACT NO.	
APPROVALS	DATE
DRAWN SWH	7-7-81
CHECKED GNL	7-7-81

SIZE <b>B</b>	CODE IDENT NO. S105	DRAWING NO.
SCALE N.T.S.	SHEET	OF



H  
G  
F  
E  
D  
C  
B  
A



**CONFIDENTIAL AND PROPRIETARY INFORMATION**

This document is the property of Inertec Data Systems Corporation, Columbia, South Carolina, and contains confidential and trade secret information. This information may not be transferred from the custody or control of Inertec's design or authorized by Inertec and then only by use of both the Inertec company. It must not be reproduced in whole or in part and must be returned to Inertec upon request and in all cases upon completion of the purpose of the loan.

Handle this document and the information it contains only by use of qualified personnel not having a need for such use or disclosure consistent with the purpose of the loan or without the prior express written consent of Inertec.

Copyright 1988 by Inertec Data Systems. All rights reserved. 00000000

